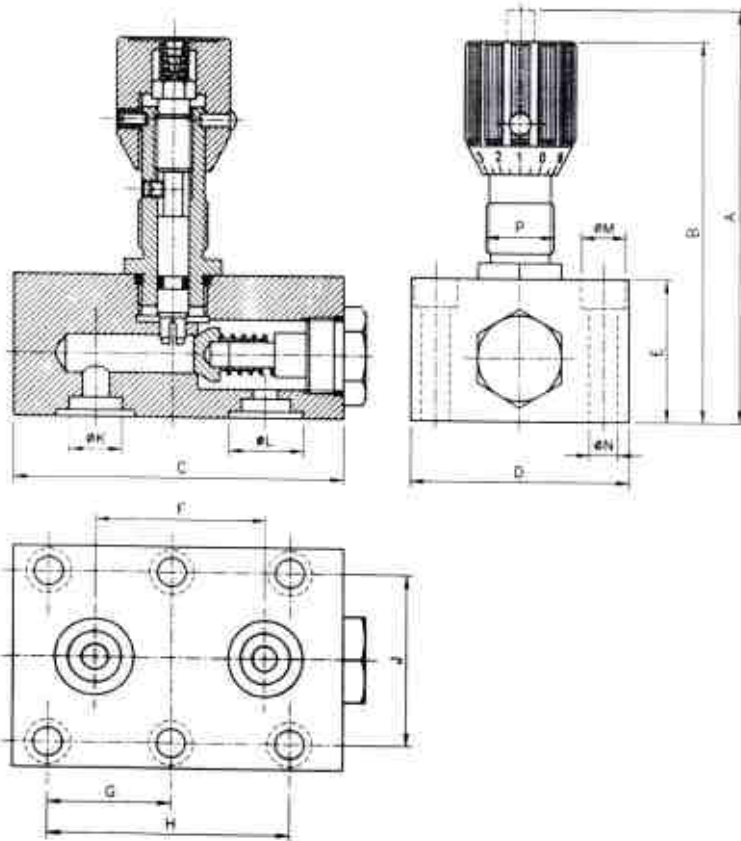
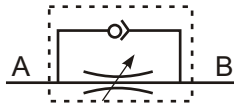


FLUTEC VALVES

"FLUTEC" Manifold Block Mounting Flow Control Valves - with Check Valve (Model Code -DRVP 8 to 40)



Description :

Flutec manifold mounted flow control Valve for mounting on to Block. Permits a simple and accurate control of hydraulic fluid, with increasing number of turning of the control knob, starting from the closed position the flow increases evenly. The last turning results in a complete opening of the flow passage. The flow in the reverse direction is free. The coloured scale permits a good repetition of settings and the coloured triangle provides a visible indication of the flow control valve opening. Increase of the coloured triangle equals increased flow through the flow control valve. A setscrew is provided in the side of the knob to lock the flow control valve in set position to comply with safety standards.

MODEL CODE	A	B	C	D	E	F	G	H	J	ØK	ØL	ØM	ØN	ØP
DRVP-8	89	82	63.5	50.0	30	25.5	-	35.0	33.5	7.0	12.7	11	6.6	M18x1.5
DRVP-10	91	84	70.0	50.0	32	25.5	-	33.5	38.0	10.0	15.7	11	6.6	M18x1.5
DRVP-12	113	103	80.0	57.5	38	30.0	-	38.0	44.5	13.0	18.7	11	6.6	M22x1.5
DRVP-16	132	120	104.0	70.0	45	54.0	38.0	76.0	54.0	17.0	24.5	14	9.0	M22x1.5
DRVP-20	170	153	127.0	76.5	50	57.0	47.5	95.0	60.0	22.0	30.5	14	9.0	M38x1.5
DRVP-25	175	158	165.0	100.0	55	79.5	60.0	120.0	76.0	28.5	37.5	18	11.0	M38x1.5
DRVP-30	195	178	186.0	115.0	75	95.0	71.5	143.0	92.0	35.0	43.5	20	14.0	M38x1.5

FLUTEC VALVES

102, Alankar Indl. Estate, Near Virwani Indl. Estate,
Vishweshwar Nagar, Aarey Cross Road.
Goregaon (east) Mumbai - 400 063.
Cell.: 9821043687 tele fax: 29271591
email : flutec1@hotmail.com, Sales@flutecvalves.com

Website: www.flutecvalves.com