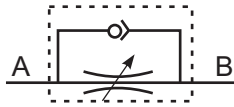


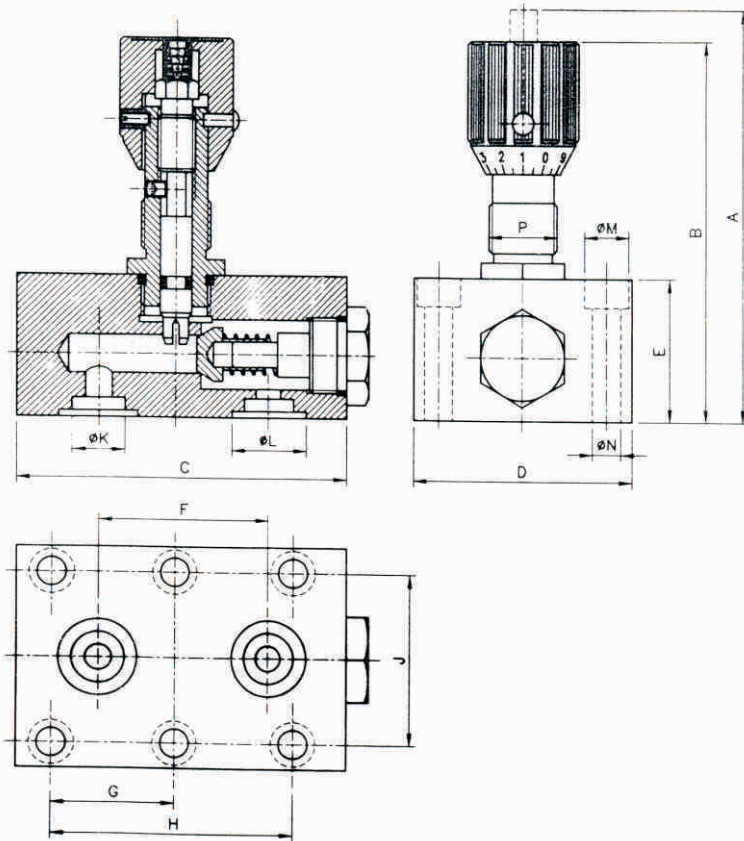
# FLUTEC VALVES

## "FLUTEC" Manifold Block Mounting Flow Control Valves - with Check Valve (Model Code -DRVP 8 to 40)



### Description :

Flutec manifold mounted flow control Valve for mounting on to Block. Permits a simple and accurate control of hydraulic fluid, with increasing number of turning of the control knob, starting from the closed position the flow increases evenly. The last turning results in a complete opening of the flow passage. The flow in the reverse direction is free. The coloured scale permits a good repetition of settings and the coloured triangle provides a visible indication of the flow control valve opening. Increase of the coloured triangle equals increased flow through the flow control valve. A setscrew is provided in the side of the knob to lock the flow control valve in set position to comply with safety standards.



MODEL CODE	A	B	C	D	E	F	G	H	J	ØK	ØL	ØM	ØN	ØP
DRVP-8	89	82	63.5	50.0	30	25.5	-	35.0	33.5	7.0	12.7	11	6.6	M18x1.5
DRVP-10	91	84	70.0	50.0	32	25.5	-	33.5	38.0	10.0	15.7	11	6.6	M18x1.5
DRVP-12	113	103	80.0	57.5	38	30.0	-	38.0	44.5	13.0	18.7	11	6.6	M22x1.5
DRVP-16	132	120	104.0	70.0	45	54.0	38.0	76.0	54.0	17.0	24.5	14	9.0	M22x1.5
DRVP-20	170	153	127.0	76.5	50	57.0	47.5	95.0	60.0	22.0	30.5	14	9.0	M38x1.5
DRVP-25	175	158	165.0	100.0	55	79.5	60.0	120.0	76.0	28.5	37.5	18	11.0	M38x1.5
DRVP-30	195	178	186.0	115.0	75	95.0	71.5	143.0	92.0	35.0	43.5	20	14.0	M38x1.5
DRVP-40														

## FLUTEC VALVES

12-Sardar Bachan Singh Estate,  
Sonawala Main Road,  
Opp. Cello Building,  
Goregaon east, Mumbai-400 063.

Website: [www.flutecvalves.in](http://www.flutecvalves.in)

Cell.: +91 98210 43687, +91 97694 43687  
Telefax: +91 22 2686 1591  
email : [flutec1@hotmail.com](mailto:flutec1@hotmail.com),  
[sales@flutecvalves.com](mailto:sales@flutecvalves.com)