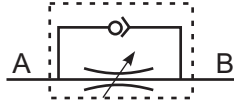


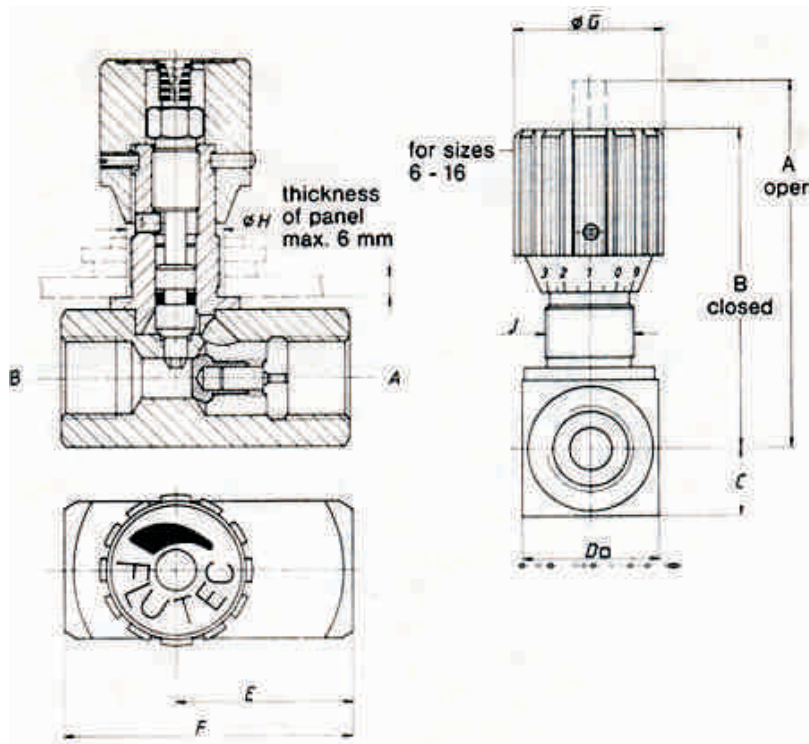
FLUTEC VALVES

"FLUTEC" Flow Control Valves - with Check Valve (Model Code -DRV(Line Mfg)DRV 6 to 40)



Description :

Permits a simple and accurate control of hydraulic fluid, with increasing number of turning of the control knob, starting from the closed position the flow increases evenly. The last turning results in a complete opening of the flow passage. The flow in the reverse direction is free. The coloured scale permits a good repetition of settings and the coloured triangle provides a visible indication of the flow control valve opening. Increase of the coloured triangle equals increased flow through the flow control valve. A setscrew is provided in the side of the knob to lock the flow control valve in set position to comply with safety standards.



MODEL CODE	Thread	A	B	C	D	E	F	G	H	J	SW	Weight
DRV-6	1/8"	55	50	8	16	26	45	24	13	Pg7	-	0.13
DRV-8	1/4"	72	65	12.5	25	33.5	55	29	19	Pg11	-	0.30
DRV-10	3/8"	74	67	15	30	41	65	29	19	Pg11	-	0.45
DRV-12	1/2"	92	82	17.5	35	44	73	38	23	Pg16	-	0.80
DRV-16	3/4"	106	96	22.5	45	57	88	38	23	Pg16	-	1.30
DRV-20	1"	145	128	25	50	77	127	49	38	Pg29	-	2.40
DRV-25	1 1/4"	150	133	30	60	93	143	49	38	Pg29	19	3.50
DRV-30	1 1/2"	155	138	35	70	108	143	49	38	Pg29	19	4.60
DRV-40	2"	165	148	45	90	130	165	49	38	Pg29	19	7.70

FLUTEC VALVES

12-Sardar Bachan Singh Estate,
Sonawala Main Road,
Opp. Cello Building,
Goregaon east, Mumbai-400 063.

Cell.: +91 98210 43687, +91 97694 43687
Telefax: +91 22 2686 1591
email : flutec1@hotmail.com,
sales@flutecvalves.com

Website: www.flutecvalves.in