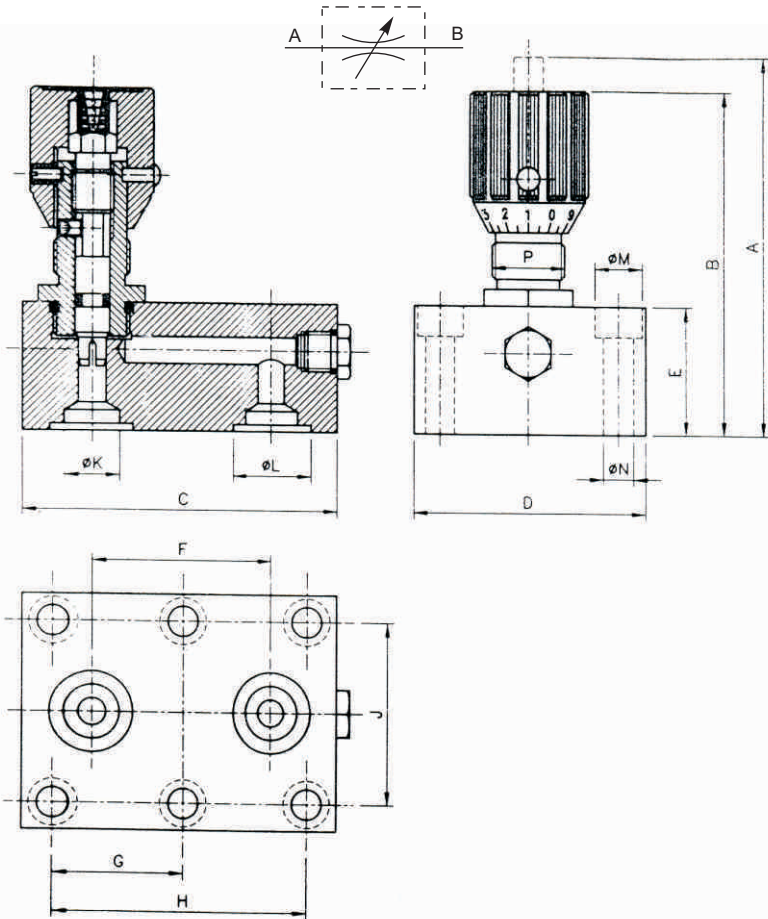


FLUTEC VALVES

"FLUTEC" High Pressure Block Mounting Needle / Shut - Off Valve, (Model Code - NVP / SOVP 8" to 40")



Description :

- Flutec Valves are designed to provide simple and accurate control of hydraulic fluids.
- By increasing number of turning of the control knob, starting from the closed position the flow increases evenly.
- The last turning results in a complete opening of the flow passage.
- The coloured scale and coloured ring in the top of the control knob permits an accurate repetition of settings and visual indication of the flow area.
- Increase in the size of the coloured triangle on the rings corresponds to an increase in flow area.
- A setscrew is provided in the side of the knob to lock the flow control valve in set position to comply with safety standards.

MODEL CODE	A	B	C	D	E	F	G	H	J	ØK	ØL	ØM	ØN	ØP
NVP/SOVP-8	79	72	47.5	46.0	20	25.5	-	35.0	33.5	7.0	12.7	11	6.6	M18x1.5
NVP/SOVP-10	84	77	50.0	50.0	25	25.5	-	33.5	38.0	10.0	15.7	11	6.6	M18x1.5
NVP/SOVP-12	99	89	75.0	57.5	25	30.0	-	38.0	44.5	13.0	18.7	11	6.6	M22x1.5
NVP/SOVP-16	113	103	93.5	70.0	30	54.5	38.0	76.0	54.0	17.0	24.5	14	9.0	M22x1.5
NVP/SOVP-20	165	148	111.0	76.5	45	57.0	47.5	95.0	60.0	22.0	30.5	14	9.0	M38x1.5
NVP/SOVP-25	165	148	143.0	100.0	45	79.5	60.0	120.5	76.0	28.5	37.5	18	11.0	38x1.5
NVP/SOVP-30	170	153	171.0	115.0	50	95.0	71.5	143.0	92.0	35.0	43.5	20	14.0	M38x1.5
NVP/SOVP-40														

FLUTEC VALVES

12-Sardar Bachan Singh Estate,
Sonawala Main Road,
Opp. Cello Building,
Goregaon east, Mumbai-400 063.

Cell.: +91 98210 43687, +91 97694 43687
Telefax: +91 22 2686 1591
email : flutec1@hotmail.com,
sales@flutecvalves.com

Website: www.flutecvalves.in